

The 29LW07E11UN series of monitors have been designed for industrial applications in the Control field and other users that require a compact replacement for monochrome CRT monitors with a small footprint, high brightness display and good viewing angles. The rugged, metal construction of the monitors ensures simple retro-fit replacement.

The KME A/D board used has been designed to accept a wide range of signal timings from 15kHz up to VGA standard, including CGA & EGA legacy signals. Set-up controls for fine-tuning of the display are located at the rear of the monitor. Once set, no further adjustments should be required, and the last setting is stored in memory.

Analogue & TTL signals are accepted via a 10w edge connector.

Features

- Monochrome LCD for CRT replacement
- Simple plug - and-play design
- High brightness / high contrast TFT panel
- Programmable for non-standard Legacy signals
- 12V DC operation
- OSD controls for maximum versatility

*7" Monochrome
CRT Replacement
29LW07E11UN*



Specifications: see next page

Specifications		
TFT Characteristics	Panel size Nr. of colours Max resolution Active display area Brightness Backlight life Contrast ratio Viewing angles Input connectors	6.4" diagonal 262k 640 x 480 pixels 130.6 x 97.9 mm 250cd/m ² 50,000 hours 400:1 typical 130°H, 110°V 10w Edge
Video Signal	Analog RGB 0.7-1.0Vp-p, TTL (3 bit)	
Signal Sync	Separate H&V (+/-ve) TTL	or Composite (-ve) TTL or Sync-on-Green (-ve) 0.3V p-p
Synchronisation Range	Horizontal scan Vertical scan	15 to 32kHz 40 to 70Hz
Multiscan Support	Fast Scan Support	640 x 480 VGA 640 x 400; 640 x 350 & other programmed timings in 15-32kHz range
Power supply / Consumption	12VDC / 25W typical	
Clock Rate	50MHz max	
Environmental	Storage temp. Operating temp.	-20°C to 70°C 0°C to 50°C
Dimensions	187(w) x 138(h) x 197(l) mm	
Controls	(On Screen Display buttons at rear)	Brightness, Contrast, H/V Position & Size, Frequency, Frequency Fine
Part numbers		
Model	29LW07E11UN	

Specifications are subject to change without notice.

• Monitors

Desktop Monitors
Large screen Monitors
Custom-made Monitors
19" Rack Mount Monitors
Rear Mount Monitors
Monitors for Panel Mount
Monitors for VESA Mount
Kiosks
Accessories

• Monitors – Specific applications

Stainless Steel Monitors
Car Displays
Marine Monitors
Military Monitors
Replacement Monitors
Train Monitors

• Panel PC's

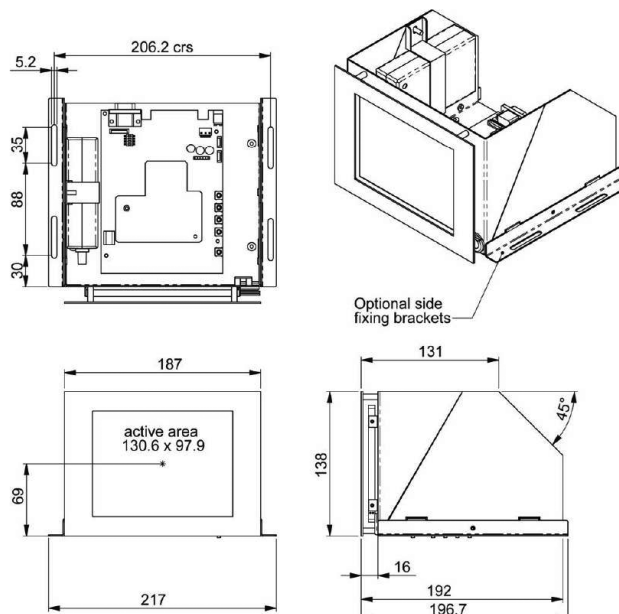
High Performance Systems
Custom made Panel PC's
Low Power Systems
Extreme environments

• Pointing devices

Accessories
Touchpads
Trackballs
Trackball Modules
Joysticks
Custom made Pointing Devices

• Keyboards

Desktop Keyboards with or without pointer
Built-in Keyboards with or without pointer
Cables & Connectors
Custom made Keyboards



Mulder-Hardenberg, est. 1927, is the answer to professional demands in the domain of electronic related environments. We don't just sell products. We use our multidiscipline knowledge to provide the best possible solution, designed to your specific interest.

Contact details:

The Netherlands
Mulder-Hardenberg B.V.
Westerhoutpark 1a
2012 JL Haarlem
Tel.: +31 23 531 91 84
infnl@m-h.biz

Belgium, France, Luxemburg
Mulder-Hardenberg N.V.
Hoge Weg 129
B-2940 Stabroek
Belgium
Tel.: +32 3 660 13 20
infobe@m-h.biz

Germany
Mulder-Hardenberg GmbH
Nordring 13
D-65719 Hofheim/Ts
Tel.: +49 6192 - 97 91 85
infode@m-h.biz